

# NPRLV-4RSL

## 4" Pearl 12VAC Low Voltage LED Round Adjustable Slot Aperture Retrofit

Source: 10W LED  
950lm

Type

Project

Catalog No.

Notes

### PRODUCT DESCRIPTION

Pearl low voltage retrofit series is cULus classified for use in existing IC housings manufactured by Nora. The 4" retrofit luminaires deliver over 950 lumens with an adjustable slot aperture to focus the beam spread through 2-5/8" x 2" opening.

### FEATURES

- Comfort Dim (warm dimming) is available in 550lm only
- 2700K, 3000K, 3500K, 4000K @ 90+ CRI
- Three field changeable optics included
- Integral dimmable driver
- 5-year limited warranty
- cULus classified for damp locations

### SPECIFICATION

**Construction:** Trims are constructed of heat-dissipating die-cast aluminum. A threaded aluminum LED heat sink integrates directly with the trim for optimal heat transfer, while a heat-resistant polycarbonate blend plate enhances overall temperature control and performance.

**Mounting:** Luminaire includes friction blades to mount securely to housing.

### OPTICS

Three field changeable optics (spot, narrow flood and flood - installed) are included with each LED module. Premium 22° and 26° TIR optics are also available.

### ELECTRICAL

**Input Voltage:** 12VAC 60Hz

**Socket:** GU5.3

**Lumens / Wattage:** 950lm / 10W (550lm w/ Comfort Dim)

**Color Temperature:** 2700K, 3000K, 3500K, 4000K

**Color Rendering Index:** 90+CRI

**Beam Spread:** 26° Spot, 35° Narrow Flood, 51° Flood

**Operating Temperature:** 0°C to 25°C

**Lifetime:** 50,000 hours @ L70

**Comfort Dim:** Comfort Dim color tunes the temperature from a bright 3000K, to a romantic and comfortable 2000K on a gradual, even curve. Available in 550lm only.

**Dimming:** Triac (leading edge) or ELV (trailing edge)

[Click Here](#) or check complete dimmer list at [www.NoraLighting.com](http://www.NoraLighting.com) in the "Compatibility" page under "Resources" tab

### COMPATIBLE HOUSING

Pearl adjustable slot aperture retrofit reflectors are compatible with 4" IC and Non-IC housings by Nora and others.

[NLIC-401](#) 4" IC Air-Tight Double Wall New Construction

[NL-401](#) 4" Non-IC New Construction

[NLR-404](#) 4" Non-IC Remodel

**Accessories:** Luminaires can accommodate (1) hex louver and (1) translucent deco collar or opaque snoot, no accessory holder is required, see accessories page.

### LABELS AND LISTINGS

- cULus classified for Damp Locations
- RoHS compliant
- [5-Year Limited Warranty](#)
- Certified to the high efficacy requirements of California Title 24 JA8-2025
- Patent Pending

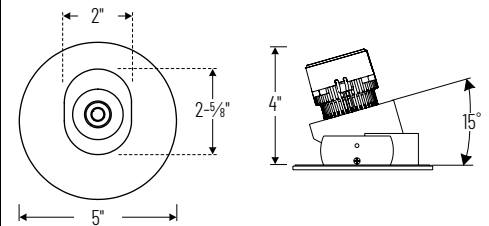


### Performance Data

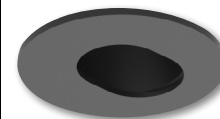
Part Number	Lumens	CCT	Optic
NPRLV-4RSL40XMPW	976lm	4000K	Spot
NPRLV-4RSL40XMPW	981lm	4000K	Narrow
NPRLV-4RSL40XMPW	977lm	4000K	Flood

Delivered lumens will vary depending on CCT, optic and finish

### PRODUCT IMAGES & DIMENSIONS



**NPRLV-4RSL**  
Round Adjustable Slot Aperture  
15° Adjustable



**BB**  
Black Slot Aperture  
Black Flange



**BMPW**  
Black Slot Aperture  
Bright White Flange



**HZMPW**  
Haze Slot Aperture  
Bright White Flange



**MPW**  
Bright White Aperture  
Bright White Flange

## 4" Pearl 12VAC Low Voltage LED Round Adjustable Slot Aperture Retrofit

Color Temperature	Finish
NPRLV-4RSL27X = 2700K	BB = Black
NPRLV-4RSL30X = 3000K	BMPW = Black Slot Aperture / Bright White Flange
NPRLV-4RSL35X = 3500K	HZMPW = Haze Slot Aperture / Bright White Flange
NPRLV-4RSL40X = 4000K	MPW = Bright White
NPRLV-4RSLCDX = Comfort Dim	

Example: NPRLV-4RSL40XMPW = 4" Pearl 12VAC Low Voltage LED Round Adjustable Slot Aperture Retrofit, 4000K, Bright White finish

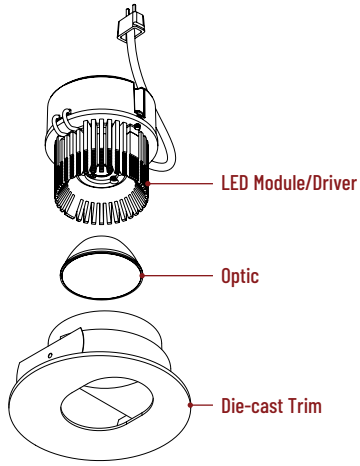
# ACCESSORIES

## 4" Pearl 12VAC Low Voltage LED Round Adjustable Slot Aperture Retrofit

Type
Project
Catalog No.
Notes

### FIELD CHANGEABLE OPTICS

Pearl luminaires include spot, narrow flood and flood optics. Optics can be changed in the field by removing LED module from die-cast trim. Replacement optics include an optional frosted lens. **Note: Premium TIR optics are not compatible with Comfort Dim LED modules.**



Frosted Optics

- NIO-REFL38FR 60° Optic
- NIO-REFL60FR 73° Optic

Replaces optics that are included with each LED module.



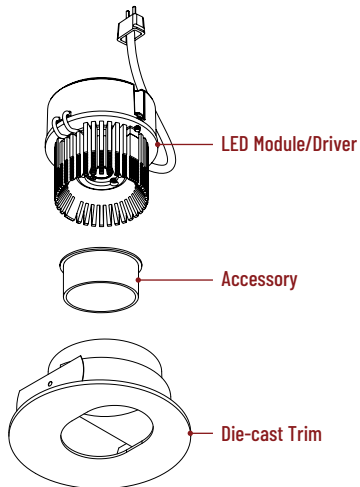
Premium TIR Optics

- NIO-REFLTIR15 22° Optic
- NIO-REFLTIR25 26° Optic

Premium TIR (total internal reflection) optics create optimal spot and narrow flood beam spread. **Not compatible with Comfort Dim (CDX) LED module**

### ACCESSORIES

Pearl accessories can be added at any point in the design process. Accessories easily install between LED module and die-cast trim. Luminaire will accommodate (1) hex louver and (1) collar accessory, no accessory holder required.



Translucent Decorative Collar

- NIO-AS14(color) 5/8" length
  - NIO-AS19(color) 3/4" length
  - NIO-AS26(color) 1" length
- Color:**  
AM (amber), BLU (blue), FR (frosted), R (red)

Translucent collars color the aperture with the specified color while producing white general light. Collars are available in different lengths. Use to add interest, create a theme, match a theme or define a space.



Opaque Collar Snoot

- NIO-AS14WH 5/8" length / warm white finish
- NIO-AS19MPW 3/4" length / bright white finish
- NIO-AS19WH 3/4" length / warm white finish
- NIO-AS26WH 1" length / warm white finish

Opaque snoot greatly reduces aperture brightness while preserving light output.



Hex Cell Louver

- NIO-HC Black
- Hex cell louver subtly reduces aperture brightness by reducing light output by about 20%.

Hex cell louver is not compatible with TIR optics.