

NPRLV-4SNB

4" Pearl 12VAC Low Voltage LED Square Bullnose Retrofit

Source: 10W LED
1250lm

Type

Project

Catalog No.

Notes

PRODUCT DESCRIPTION

Pearl low voltage retrofit series is cULus classified for use in existing IC or Non-IC housings manufactured by Nora and others. The 4" retrofit luminaires deliver over 1250 lumens with filleted aperture which allows for minimal aperture brightness while still producing the nadir footcandles.

FEATURES

- Comfort Dim (warm dimming) is available in 750lm only
- 2700K, 3000K, 3500K, 4000K @ 90+ CRI
- Three field changeable optics included
- Integral dimmable driver
- 5-year limited warranty
- cULus classified for wet locations

SPECIFICATION

Construction: Trims are constructed of heat-dissipating die-cast aluminum. A threaded aluminum LED heat sink integrates directly with the trim for optimal heat transfer, while a heat-resistant polycarbonate blend plate enhances overall temperature control and performance.

Mounting: Luminaire includes friction blades to mount securely to housing.

OPTICS

Three field changeable optics (spot, narrow flood and flood - installed) are included with each LED module. Premium 22° and 26° TIR optics are also available.

ELECTRICAL

Input Voltage: 12VAC 60Hz

Socket: GU5.3

Lumens / Wattage: 1250lm / 10W (750lm w/ Comfort Dim)

Color Temperature: 2700K, 3000K, 3500K, 4000K

Color Rendering Index: 90+CRI

Beam Spread: 26° Spot, 36° Narrow Flood, 64° Flood

Operating Temperature: 0°C to 25°C

Lifetime: 50,000 hours @ L70

Comfort Dim: Comfort Dim color tunes the temperature from a bright 3000K, to a romantic and comfortable 2000K on a gradual, even curve. Available in 750lm only.

Dimming: Triac (leading edge) or ELV (trailing edge)

[Click Here](#) or check complete dimmer list at www.NoraLighting.com in the "Compatibility" page under "Resources" tab

COMPATIBLE HOUSINGS

Pearl retrofits are compatible with 4" IC and Non-IC housings by Nora and others.

[NLIC-401](#) 4" IC Air-Tight Double Wall New Construction

[NL-401](#) 4" Non-IC New Construction

[NLR-404](#) 4" Non-IC Remodel

Accessories: Luminaires can accommodate (1) hex louver and (1) translucent deco collar or opaque snoot, no accessory holder is required, see accessories page.

LABELS AND LISTINGS

- cULus classified for Wet Locations
- RoHS compliant
- [5-Year Limited Warranty](#)
- Certified to the high efficacy requirements of California Title 24 JA8-2025
- Patent Pending

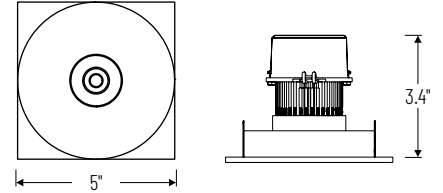


Performance Data

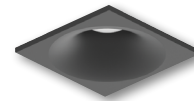
Part Number	Lumens	CCT	Optic
NPRLV-4SNB40XMPW	1268lm	4000K	Spot
NPRLV-4SNB40XMPW	1274lm	4000K	Narrow
NPRLV-4SNB40XMPW	1269lm	4000K	Flood

Delivered lumens will vary depending on CCT, optic and finish

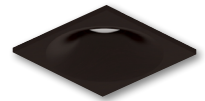
PRODUCT IMAGES & DIMENSIONS



NPRLV-4SNB
Square Bullnose
Non-Adjustable



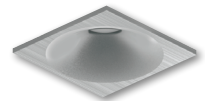
BB
Black



BZ
Bronze



MPW
Bright White



NN
Natural Metal



WW
Warm White

4" Pearl 12VAC Low Voltage LED Square Bullnose Retrofit

Color Temperature	Finish
NPRLV-4SNB27X = 2700K	BB = Black
NPRLV-4SNB30X = 3000K	BZ = Bronze
NPRLV-4SNB35X = 3500K	MPW = Bright White
NPRLV-4SNB40X = 4000K	NN = Natural Metal
NPRLV-4SNBCDX = Comfort Dim	WW = Warm White

Example: **NPRLV-4SNB40XMPW** = 4" Pearl 12VAC Low Voltage LED Square Bullnose Retrofit, 4000K, Bright White finish

ACCESSORIES

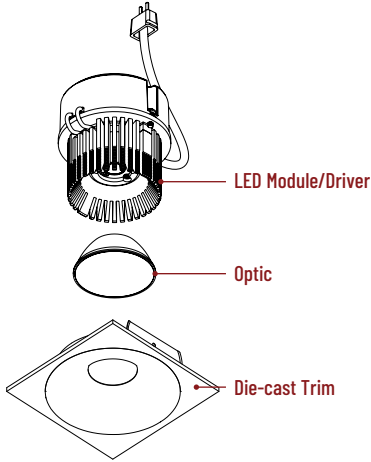
4" Pearl 12VAC Low Voltage LED Square Bullnose Retrofit

Type
Project
Catalog No.
Notes

FIELD CHANGEABLE OPTICS

Pearl luminaires include spot, narrow flood and flood optics. Optics can be changed in the field by removing LED module from die-cast trim. Replacement optics include an optional frosted lens.

Note: Premium TIR optics are not compatible with Comfort Dim LED modules.



Frosted Optics

NIO-REFL38FR	60° Optic
NIO-REFL60FR	73° Optic

Replaces optics that are included with each LED module.



Premium TIR Optics

NIO-REFLTIR15	22° Optic
NIO-REFLTIR25	26° Optic

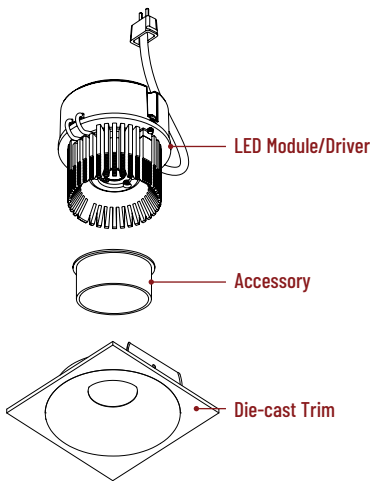
Premium TIR (total internal reflection) optics create optimal spot and narrow flood beam spread.

Not compatible with Comfort Dim (CDX) LED module

ACCESSORIES

Pearl accessories can be added at any point in the design process. Accessories easily install between LED module and die-cast trim.

Luminaire will accommodate (1) hex louver and (1) collar accessory, no accessory holder required.



Translucent Decorative Collar

NIO-AS14(color)	5/8" length
NIO-AS19(color)	3/4" length
NIO-AS26(color)	1" length
Color:	
AM (amber), BLU (blue), FR (frosted), R (red)	

Translucent collars color the aperture with the specified color while producing white general light. Collars are available in different lengths. Use to add interest, create a theme, match a theme or define a space.



Opaque Collar Snoot

NIO-AS14WH	5/8" length / warm white finish
NIO-AS19MPW	3/4" length / bright white finish
NIO-AS19WH	3/4" length / warm white finish
NIO-AS26WH	1" length / warm white finish

Opaque snoot greatly reduces aperture brightness while preserving light output.



Hex Cell Louver

NIO-HC	Black
---------------	-------

Hex cell louver subtly reduces aperture brightness by reducing light output by about 20%.

Hex cell louver is not compatible with TIR optics.