

# NPRLV-4SNDSQ

4" Pearl 12VAC Low Voltage LED Square Retrofit Reflector with Square Aperture

Source: 10W LED  
1150lm

Type

Project

Catalog No.

Notes

## PRODUCT DESCRIPTION

Pearl low voltage retrofit series is cULus classified for use in existing IC or Non-IC housings manufactured by Nora and others. The 4" retrofit luminaires deliver over 1150 lumens with deep regressed cone reflector for optimal visual cut-off.

## FEATURES

- Comfort Dim (warm dimming) is available in 700lm only
- 2700K, 3000K, 3500K, 4000K @ 90+ CRI
- Three field changeable optics included
- Integral dimmable driver
- 5-year limited warranty
- cULus classified for wet locations

## SPECIFICATION

**Construction:** Trims are constructed of heat-dissipating die-cast aluminum. A threaded aluminum LED heat sink integrates directly with the trim for optimal heat transfer, while a heat-resistant polycarbonate blend plate enhances overall temperature control and performance.

**Mounting:** Luminaire includes friction blades to mount securely to housing.

## OPTICS

Three field changeable optics (spot, narrow flood and flood - installed) are included with each LED module. Premium 22° and 26° TIR optics are also available.

## ELECTRICAL

**Input Voltage:** 12VAC 60Hz

**Socket:** GU5.3

**Lumens / Wattage:** 1150lm / 10W (700lm w/ Comfort Dim)

**Color Temperature:** 2700K, 3000K, 3500K, 4000K

**Color Rendering Index:** 90+CRI

**Beam Spread:** 26° Spot, 36° Narrow Flood, 58° Flood

**Operating Temperature:** 0°C to 25°C

**Lifetime:** 50,000 hours @ L70

**Comfort Dim:** Comfort Dim color tunes the temperature from a bright 3000K, to a romantic and comfortable 2000K on a gradual, even curve. Available in 700lm only.

**Dimming:** Triac (leading edge) or ELV (trailing edge)

[Click Here](#) or check complete dimmer list at [www.NoraLighting.com](http://www.NoraLighting.com) in the "Compatibility" page under "Resources" tab

## COMPATIBLE HOUSINGS

Pearl retrofits are compatible with 4" IC and Non-IC housings by Nora and others.

[NLIC-401](#) 4" IC Air-Tight Double Wall New Construction

[NL-401](#) 4" Non-IC New Construction

[NLR-404](#) 4" Non-IC Remodel

**Accessories:** Luminaires can accommodate (1) hex louver and (1) translucent deco collar or opaque snoot, no accessory holder is required, see page 2.

## LABELS AND LISTINGS

- cULus classified for Wet Locations
- RoHS compliant
- [5-Year Limited Warranty](#)
- Certified to the requirements of CA Title 24 JA8-2025
- Patent Pending



## 4" Pearl 12VAC Low Voltage LED Square Retrofit Reflector with Square Aperture

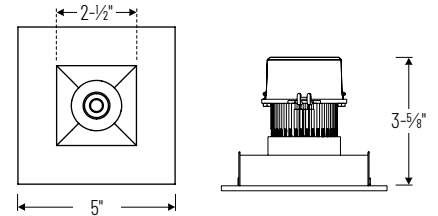
| Color Temperature             | Finish   |
|-------------------------------|--|
| NPRLV-4SNDSQ27X = 2700K       | BB = Black   |
| NPRLV-4SNDSQ30X = 3000K       | BW = Black Reflector / Warm White Flange               |
| NPRLV-4SNDSQ35X = 3500K       | BZ = Bronze  |
| NPRLV-4SNDSQ40X = 4000K       | CHMPW = Champagne Haze Reflector / Bright White Flange |
| NPRLV-4SNDSQCDX = Comfort Dim | HN = Haze Reflector/ Natural Metal Flange              |
|                               | HW = Haze Reflector/ Warm White Flange                 |
|                               | HZMPW = Haze Reflector/ Bright White Flange            |
|                               | MPW = Bright White                                     |
|                               | WW = Warm White  |

## Performance Data

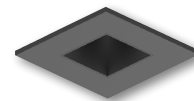
| Part Number        | Lumens | CCT   | Optic  |
|--------------------|--------|-------|--------|
| NPRLV-4SNDSQ40XMPW | 1158lm | 4000K | Spot   |
| NPRLV-4SNDSQ40XMPW | 1164lm | 4000K | Narrow |
| NPRLV-4SNDSQ40XMPW | 1160lm | 4000K | Flood  |

*Delivered lumens will vary depending on CCT, optic and finish*

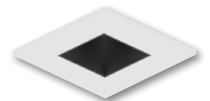
## PRODUCT IMAGES & DIMENSIONS



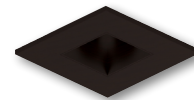
**NPRLV-4SNDSQ**  
Square Reflector with Square Aperture  
Non-Adjustable



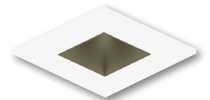
**BB**  
Black Reflector  
Black Flange



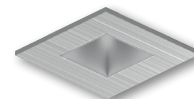
**BW**  
Black Reflector  
Warm White Flange



**BZ**  
Bronze Reflector  
Bronze Flange



**CHMPW**  
Champagne Haze Reflector  
Bright White Flange



**HN**  
Haze Reflector  
Natural Metal Flange



**HW**  
Haze Reflector  
Warm White Flange



**HZMPW**  
Haze Reflector  
Bright White Flange



**MPW**  
Bright White Reflector  
Bright White Flange



**WW**  
Warm White Reflector  
Warm White Flange

Example: NPRLV-4SNDSQ40XMPW = 4" Pearl 12VAC Low Voltage LED Square Retrofit Reflector with Square Aperture, 4000K, Bright White finish

# ACCESSORIES

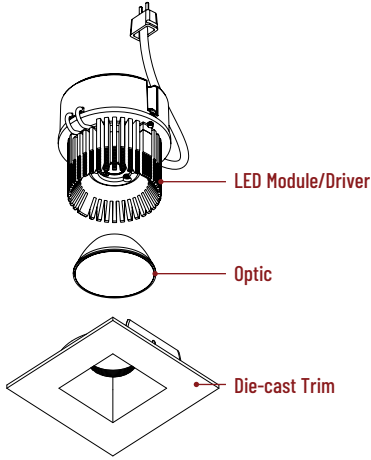
## 4" Pearl 12VAC Low Voltage LED Square Retrofit Reflector with Square Aperture

|             |
|-------------|
| Type        |
| Project     |
| Catalog No. |
| Notes       |

### FIELD CHANGEABLE OPTICS

Pearl luminaires include spot, narrow flood and flood optics. Optics can be changed in the field by removing LED module from die-cast trim. Replacement optics include an optional frosted lens.

**Note:** Premium TIR optics are not compatible with Comfort Dim LED modules.



Frosted Optics

|              |           |
|--------------|-----------|
| NIO-REFL38FR | 60° Optic |
| NIO-REFL60FR | 73° Optic |

Replaces optics that are included with each LED module.



Premium TIR Optics

|               |           |
|---------------|-----------|
| NIO-REFLTIR15 | 22° Optic |
| NIO-REFLTIR25 | 26° Optic |

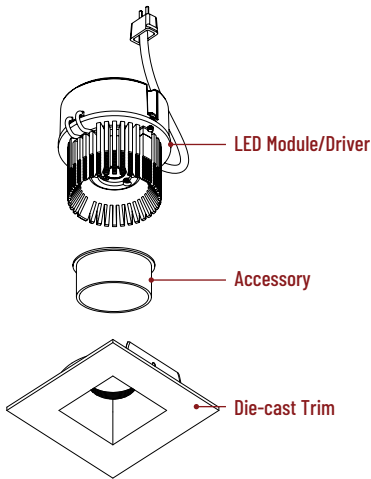
Premium TIR (total internal reflection) optics create optimal spot and narrow flood beam spread.

**Not compatible with Comfort Dim (CDX) LED module**

### ACCESSORIES

Pearl accessories can be added at any point in the design process. Accessories easily install between LED module and die-cast trim.

Luminaire will accommodate (1) hex louver and (1) collar accessory, no accessory holder required.



Translucent Decorative Collar

|   |             |
|---|-------------|
| NIO-AS14(color)                               | 5/8" length |
| NIO-AS19(color)                               | 3/4" length |
| NIO-AS26(color)                               | 1" length   |
| <b>Color:</b>                                 |             |
| AM (amber), BLU (blue), FR (frosted), R (red) |             |

Translucent collars color the aperture with the specified color while producing white general light. Collars are available in different lengths. Use to add interest, create a theme, match a theme or define a space.



Opaque Collar Snoot

|             |                                   |
|-------------|-----------------------------------|
| NIO-AS14WH  | 5/8" length / warm white finish   |
| NIO-AS19MPW | 3/4" length / bright white finish |
| NIO-AS19WH  | 3/4" length / warm white finish   |
| NIO-AS26WH  | 1" length / warm white finish     |

Opaque snoot greatly reduces aperture brightness while preserving light output.



Hex Cell Louver

|        |       |
|--------|-------|
| NIO-HC | Black |
|--------|-------|

Hex cell louver subtly reduces aperture brightness by reducing light output by about 20%.

Hex cell louver is not compatible with TIR optics.