

# Installation Instructions

## NELOSW

### ELO LED Surface Mount Luminaire with Selectable Lumens & CCT

**READ PRIOR TO ATTEMPTING INSTALLATION**  
**ALWAYS TURN OFF MAIN POWER BEFORE INSTALLATION**  
**INSTALLATION SHOULD BE CARRIED OUT BY YOUR LOCAL ELECTRICIAN**

**⚠ WARNING** - Do not make or alter any open holes in an enclosure of wiring or electrical components during kit installation.

**⚠ AVERTISSEMENT** - Il est interdit de faire ou de modifier une ouverture dans un boîtier de câblage ou de composants électriques au cours de l'installation du nécessaire.

**⚠ WARNING** - To prevent wiring damage or abrasion, do not expose wiring to edges of sheet metal or other sharp objects.

**⚠ AVERTISSEMENT** - Afin de prévenir l'endommagement ou l'abrasion des câbles, éviter tout contact entre ces derniers et le bord d'un objet tranchant tel qu'une tôle.

**⚠ RISK OF FIRE OR ELECTRIC SHOCK.** LED Retrofit Kit Installation requires knowledge of luminaires electrical systems. If not qualified, do not attempt installation. Contact a qualified electrician.

**⚠ RISQUE D'INCENDIE OU DE CHOC ÉLECTRIQUE.** L'installation de ce nécessaire de modernisation exige une personne familière avec la construction et le fonctionnement du système électrique du luminaire et des risques associés. Toute personne qui n'est pas qualifiée ne doit faire aucune tentative d'installation et doit contacter un électricien qualifié.

**⚠ WARNING** - For external use only. Applying waterproof silicone seal around trim and ceiling is recommended.

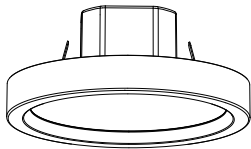
**⚠ AVERTISSEMENT** - Pour une utilisation extérieure seulement, recommandez d'appliquer du silicone imperméable pour sceller autour de la garniture et du plafond.

- This retrofit kit is accepted as a component of a luminaire where the suitability of the combination shall be determined by authorities having jurisdiction.

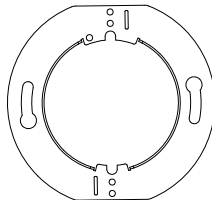
- Le nécessaire de modernisation est accepté à titre de composant d'un luminaire autorités compétentes.



#### PACKAGING CONTENTS



(1) LED Fixture



(1) Mounting Plate



(1) EVA Foam



(2) Wire Nuts, Twist-Lock



(3) 3-Pin Connector

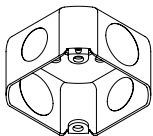


(2) 8-32 Machine Screws  
1" Long  
For Octagonal Junction box

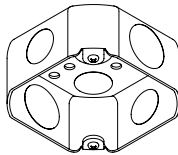


(2) 4.2\*19 Screws  
For Plastic Round  
Junction box

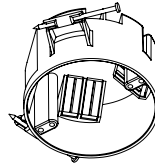
#### COMPATIBLE JUNCTION BOXES



3" Octagonal Junction Box



4" Octagonal Junction Box



4" Plastic Round Junction Box

# Installation Instructions

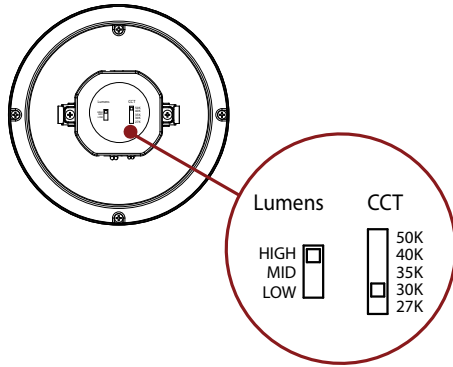
NELOSW

ELO LED Surface Mount Luminaire with Selectable Lumens & CCT

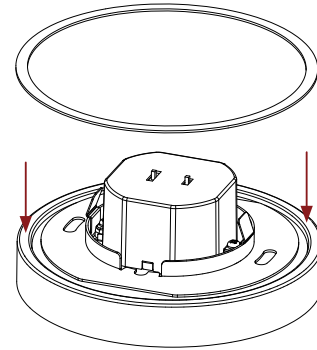
READ PRIOR TO ATTEMPTING INSTALLATION  
ALWAYS TURN OFF MAIN POWER BEFORE INSTALLATION  
INSTALLATION SHOULD BE CARRIED OUT BY YOUR LOCAL ELECTRICIAN

## INSTALLATION INSTRUCTIONS

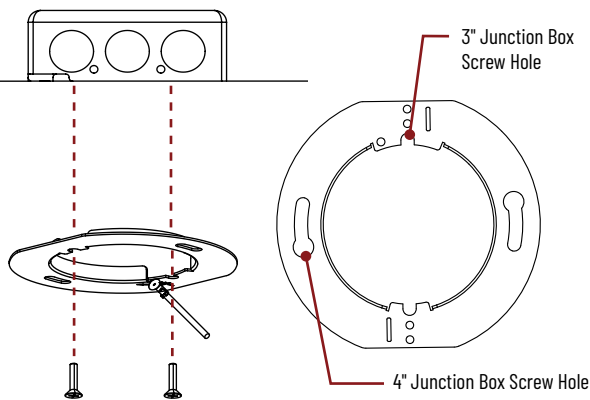
- 1** Select the desired color temperature on the fixture.  
**NOTE:** Fixture is preset to 3000K and may have been changed in shipping, handling, or installation.



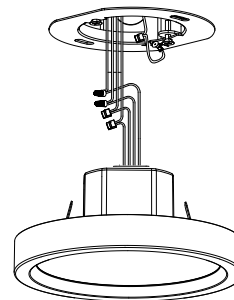
- 2** If the fixture will be installed in wet locations, fix the EVA foam to the back plate.



- 3** Place the mounting plate onto the junction box. Fasten to ceiling with screws.

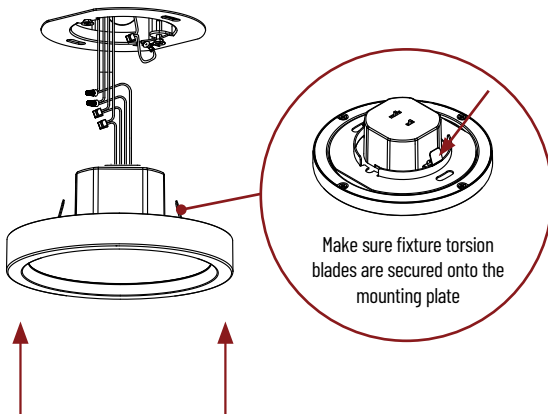


- 4** Using push-in connectors and wire nuts, connect the same colored power supply lead wires to the fixture wires. Arrange the wires and put it in the junction box.



Neutral	White
Live	Black
Green	Ground
Dimming +	Purple
Dimming -	Pink

- 5** Safely place all wires into the junction box. Insert the fixture into the mounting plate to secure the fixture to the ceiling.



- 6** Once assembly is complete, turn on power to confirm fixture is working properly.

