

Installation Instructions

NEX-752-LED

Steel Body NYC Approved Emergency Lights

READ PRIOR TO ATTEMPTING INSTALLATION
ALWAYS TURN OFF MAIN POWER BEFORE INSTALLATION
INSTALLATION SHOULD BE CARRIED OUT BY YOUR LOCAL ELECTRICIAN

⚠ WARNING - This equipment is intended to be installed only by qualified personnel. The installation must be made in accordance with the current edition to the National Electric Code and all applicable state and local building codes. The final installation must be approved by the appropriate qualified electrical/building inspector(s). Improper installation may result in a fire or electrical hazard. Be sure the electrical power to the circuit has been disconnected before installing this electrical system.

⚠ AVERTISSEMENT - Cet équipement est destiné à être installé uniquement par du personnel qualifié. L'installation doit être faite en conformité avec l'édition actuelle du Code national de l'électricité et toutes étatiques et locales codes du bâtiment applicables. L'installation finale doit être approuvée par l'inspecteur en électricité / bâtiment qualifié approprié(s). Une mauvaise installation peut entraîner un incendie ou un risque électrique. Soyez sûr de la puissance électrique vers le circuit a été coupée avant l'installation de ce système électrique.

IMPORTANT SAFEGUARDS READ AND FOLLOW ALL SAFETY INSTRUCTIONS

1. Review the diagrams thoroughly before beginning.
2. All electrical connections must be in accordance with local codes, ordinances, and the National Electric code.
3. Disconnect power at fuse or circuit breaker before installing or servicing.
4. Do not use outdoors.
5. Do not mount in hazardous locations, or near gas or electric heaters.
6. Do not let power cords touch hot surface.
7. Equipment should be mounted in locations and at heights where it will not be subjected to tampering and by unauthorized personnel.
8. The use of accessory equipment not recommended by the manufacturer may cause an unsafe condition.
9. Do not use this equipment for other than intended use.
10. All servicing should be performed by a qualified personnel only.
11. Allow battery to charge for 24 hours before full duration test.

SAVE THESE INSTRUCTIONS

MAINTENANCE

Always disconnect power at fuse or circuit breaker before installing or servicing, servicing should be performed only by qualified personnel.

We recommend that equipment is tested regularly in accordance with local codes.

BATTERY: Should be tested periodically and replaced when it no longer meets the required duration of 30 seconds or 90 minutes. Battery needs to be recharged if product is kept in stock over 9 months.

OPERATION

1. Apply AC power to the unit, the indicator should show red.
2. Push the test switch, the LED indicator turns off and the LED board stays on.
3. After releasing the test switch, LED indicator turns back to red.

TROUBLESHOOTING GUIDE

If LED heads or LED indicator do not illuminate, check the following:

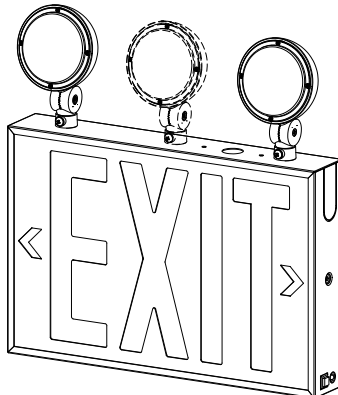
1. Check AC supply - verify that unit has 24 hours of AC voltage.
2. Unit is shorted or battery is not connected.
3. Battery voltage too low. Allow luminaire to recharge for 24 hours and then re-test.
4. If above troubleshooting do not solve your problem, contact factory for assistance.

ROUTINE TESTING

National Electric Code (NEC) and NFPA life safety code regulations require that routine tests need to be performed as below:

Once every month, perform 30 seconds duration test, push in and hold the test switch to perform a full 90-minute test.

Disconnect AC power supply and switch to emergency mode, the unit should stay on 90 minutes minimum.



Installation Instructions

NEX-752-LED

Steel Body NYC Approved Emergency Lights

READ PRIOR TO ATTEMPTING INSTALLATION
ALWAYS TURN OFF MAIN POWER BEFORE INSTALLATION
INSTALLATION SHOULD BE CARRIED OUT BY YOUR LOCAL ELECTRICIAN

INSTALLATION INSTRUCTIONS

MAX. MOUNTING HEIGHT: 19FT (TWO LAMP HEAD)

MAX. MOUNTING HEIGHT: 23FT (THREE LAMP HEAD)

WALL MOUNT

1. Slide out face plate and red diffuser by removing the screw on side of the unit. (Figure 1)
2. Remove the appropriate knock out from back plate and cable entry hole on the back plate of the housing.
3. Feed AC supply leads through the center hole into the housing, mount fixture to the J-Box using the (2) 1" long 8-32 screws. (Figure 2)
4. Route the AC supply wires through center hole inside of housing and make correct electrical connections inside of fixture. (See wiring diagram) Install fixture to junction box and push excess wire into junction box.
5. Connect battery connector to PC board. (Figure 4)
6. Remove proper directional chevron(s) from the face plate carefully as required.
7. Restore the face plate and red diffuser on main frame, then secure the side cover with screw.
8. Adjust the lamp heads direction as needed.
9. Restore AC power, charge indicator will turn on. Press test button for manual test.

SIDE MOUNT

1. Slide out face plate and red diffuser by removing the screw on side of the unit. (Figure 1)
2. Remove the (3) knockouts on the side of housing for side mounting.
3. If double face is desired, replace back plate with additional face plate and diffuser provided.
4. Assemble canopy on main frame by (2) 1" long 8-32 screws and nuts.
5. Determine if adapter plate will be need for proper orientation of the exit sign. if it is need, install it on J-box with the (2) 1" long 8-32 screws.
6. Feed AC supply leads through the canopy and cable entry hole into the housing.
7. Mount fixture to J-Box using the (2) 1" long 8-32 screws. (Figure 3)
8. Route the AC supply wires through center hole inside of housing and make correct electrical connections inside of fixture. (See wiring diagram) Install fixture to junction box and push excess wire into junction box.
9. Connect Battery connector to PC board. (Figure 4)
10. Restore the face plate and red diffuser on main frame, then secure side cover with screw
11. Adjust the lamp heads direction as needed.
12. Restore AC power, charge indicator will turn on, press test button for manual test.

Figure 1

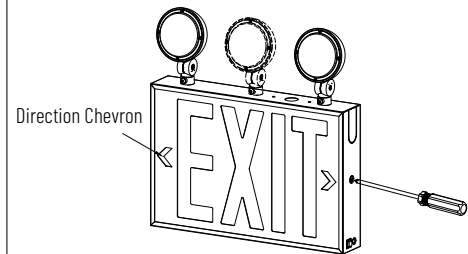


Figure 2

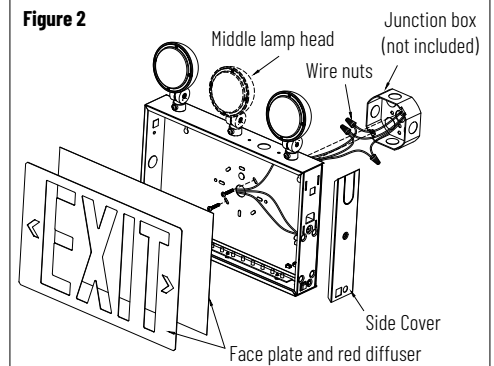


Figure 3

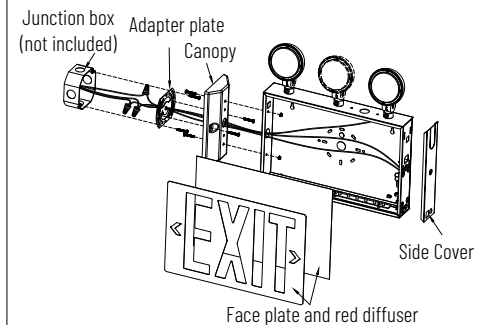
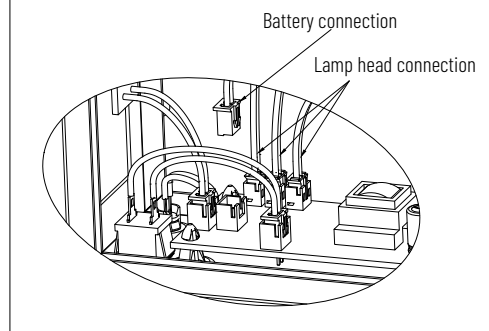


Figure 4



Wiring Diagram

Connect the white wire to neutral.
Connect the black wire to the hot lead.
Connect green wire to the ground.

