

NQZ-6S-F

New Construction Frame-In with Collar for 6" Quartz Square Downlight

Type _____

Project _____

Catalog No. _____

Notes _____

PRODUCT DESCRIPTION

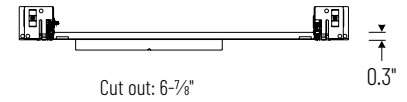
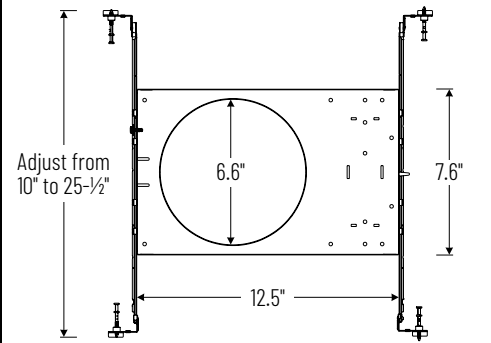
New construction frame-in with collar can be used to assist installing can-less downlights.

Mounting: Bar hangers are adjustable from 10" to 25-1/2" with integral nails. Bar hangers are slotted for T-bar ceiling grids.

COMPATIBLE LUMINAIRE

NQZ2-66TWTW-MPW: 6" Quartz Square LED Downlight with Selectable Lumens & CCT

PRODUCT IMAGES AND DIMENSIONS



New Construction Frame-In with Collar

Description

NQZ-6S-F = New Construction Frame-In with Collar

Compatible Luminaire

Description

NQZ2-66TWTW-MPW = 6" Quartz Square LED Downlight

Example: **NQZ-6S-F** = New Construction Frame-In with Collar