

# NFC-R413

## New Construction Frame-In with Collar for 4" Can-less Downlights

Type \_\_\_\_\_

Project \_\_\_\_\_

Catalog No. \_\_\_\_\_

Notes \_\_\_\_\_

### PRODUCT DESCRIPTION

New construction frame-in with collar can be used to assist installing can-less downlights.

**Mounting:** Bar hangers are adjustable from 13-3/4" to 26" with integral nails. Bar hangers are slotted for T-bar ceiling grids.

### COMPATIBLE LUMINAIRE

[NIOC-4RNB](#): 4" Iolite Can-less Round Bullnose

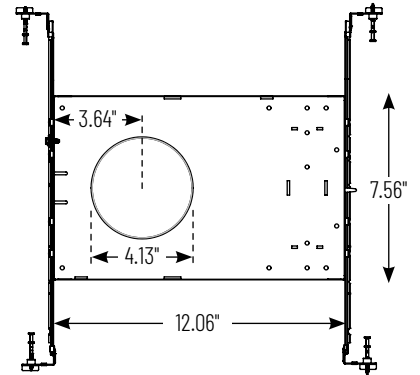
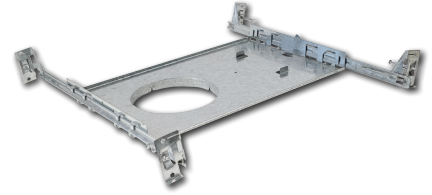
[NIOC-4RNDC](#): 4" Iolite Can-less Round Downlight

[NIOC-4RPH](#): 4" Iolite Can-less Round Pinhole

[NIOC-4RSLA](#): 4" Iolite Can-less Round Adjustable Slot

[NIOC-4SNDSQ](#): 4" Iolite Can-less Square Downlight

### PRODUCT IMAGES AND DIMENSIONS



## New Construction Frame-In with Collar for 4" Can-less Downlights

Description  
**NFC-R413** = New Construction Frame-In with Collar

Example: **NFC-R413** = New Construction Frame-In with Collar