

# NIOC-4RSP

## 4" Iolite Can-less Sloped Downlight

Source: 12W LED  
1100lm

### PRODUCT DESCRIPTION

4" Iolite can-less downlights can be installed in new construction or remodel applications. Slope downlights adjust up to 20° for ceilings with steep pitches.

### FEATURES

- Adjustable LED module (+/-10°) to accommodate ceiling pitches from 2/12 to 8/12
- No housing required - IC Air-Tight rated
- Easy installation for remodel or new construction applications
- Variety of trim accessories to configure desired appearance
- Quick disconnect allows for extended lengths
- Dedicated CCT or Comfort Dim (warm dim)
- Flood optic, narrow flood and spot optics (included)
- 5-Year limited warranty
- cULus Listed for Wet Locations

### SPECIFICATION

**Construction:** Trims are constructed of heat dissipating, die-cast aluminum. Aluminum die-cast LED module is threaded to fit the trim and transfer heat.

**Air Flow Restriction:** Luminaire has factory installed gasket to restrict airflow from room into ceiling plenum to <2CFM (cubic feet per minute) in accordance with ASTM-283 Air-Tight requirements.

**Clearance:** IC rated luminaires are rated for direct contact with insulation (not spray foam insulation), no minimum clearance is required.

**Driver Box:** Prewired junction box includes 7" quick connect wire to LED module for ease of installation. Junction box includes two 1/2" trade size knockouts and snap on cover.

*Maximum length between luminaire and driver is 40'. For longer remote driver remote run length, consult factory.*

**Mounting:** No housing is required, two tensions steel spring clips secure luminaire to ceiling. Accommodates ceiling thickness up to 3/4". New construction frame-in kit is available, see accessories.

### OPTICS

Each module includes field changeable optics (spot, narrow flood and flood - preinstalled).

### ELECTRICAL

**Input Voltage:** 120VAC

**Lumens / Wattage:** 1100lm / 12W

**Color Temperature:** 2700K, 3000K, 3500K or 4000K

**Color Rendering Index:** 90+ CRI

**Operating Temperature:** 0°-30°C

**Lifetime:** 50,000 hours @ L70

**Comfort Dim:** Comfort Dim color tunes the temperature from a bright 3100K, to a romantic and comfortable 2000K on a gradual, even curve. Available in 750lm only.

**Dimming:** Triac or ELV

**Accessories:** Luminaire will accommodate (1) hex louver and (1) translucent deco collar or opaque snoot, no accessory holder is required, see accessories page.

### LABELS AND LISTINGS

- cULus Listed for Wet Locations
- [5-Year Limited Warranty](#)
- RoHS Compliant
- Certified to the high efficacy requirements of California Title 24 JA8-2022



Type

Project

Catalog No.

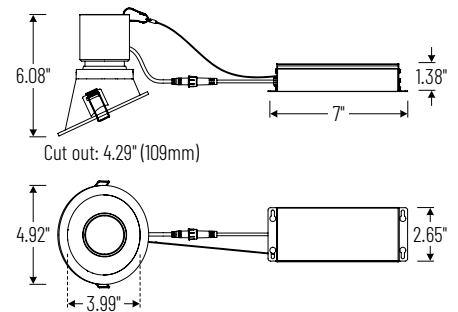
Notes

### Performance Data

Part Number	Lumens	CCT	Optic
NIOC-4RSP40XMPW	1135lm	4000K	Spot
NIOC-4RSP40XMPW	1139lm	4000K	Narrow
NIOC-4RSP40XMPW	1114lm	4000K	Flood

*Delivered lumens will vary depending on CCT, optic and finish*

### PRODUCT IMAGES & DIMENSIONS



### 4" Iolite Can-less Sloped Downlight Trim



**B**  
Black Reflector  
Black Flange



**MPW**  
Matte Powder White  
Reflector & Flange

Item Number

NIOC-4RSPB = Black Reflector & Flange

NIOC-4RSPMPW = Matte Powder White Reflector & Flange

### 2" & 4" Iolite Can-less LED Module



Color Temperature

NIOC-24LED927X = 2700K

NIOC-24LED930X = 3000K

NIOC-24LED935X = 3500K

NIOC-24LED940X = 4000K

NIOC-24LED9CDX = Comfort Dim (3100K-2000K)

### Driver Box



Wattage

NJCB-12 = 12W / 120VAC input / Triac or ELV dimming

Example: NIOC-4RSPMPW / NIOC-24LED930X / NJCB-12 = 4" Iolite Can-less Sloped Downlight, Matte Powder White finish, 3000K LED Module, 12W Driver Box with 120VAC input; Triac or ELV dimming

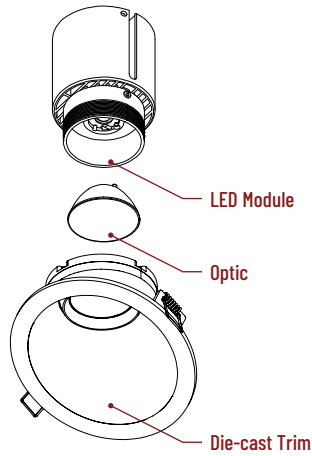
# Iolite Can-less Accessories

## 4" Iolite Can-less Sloped Downlight

Type	
Project	
Catalog No.	
Notes	

### FIELD CHANGEABLE OPTICS

Iolite luminaires include spot, narrow flood and flood optics. Optics can be changed in the field by removing LED module from die-cast trim. Optional frosted and TIR optics are also available.



Frosted Optics

**NIO-REFL38FR**  
**NIO-REFL60FR**

60° Optic  
73° Optic



Premium TIR Optics

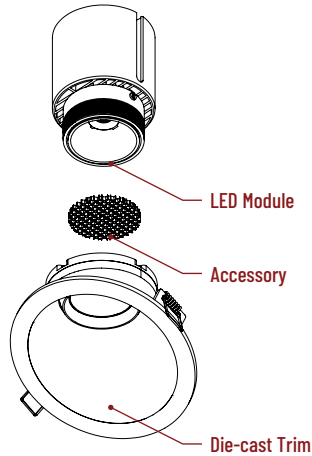
**NIO-REFLTIR15**  
**NIO-REFLTIR25**

22° Optic  
26° Optic

TIR optics are not compatible with hex cell louver accessory.

### TRIM ACCESSORIES

Iolite accessories can be added at any point in the design process. Accessories easily install between LED module and die-cast trim. Luminaire will accommodate (1) hex louver accessory, no accessory holder required.



Hex Cell Louver

**NIO-HC** Black

Hex cell louver subtly reduces aperture brightness by reducing light output by about 20%.

Hex cell louver is not compatible with TIR optics.

### MOUNTING ACCESSORIES

Iolite canless luminaires are ready to be installed out of the box. Additional mounting accessories can be used to assist during installation or extend length between driver box and luminaire.

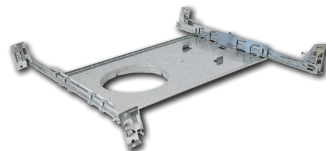


Quick Connect Extension Cables

**NCA-EW-4**  
**NCA-EW-10**

4' Cable  
10' Cable

Use to extend the length between luminaire and driver box. Can be connected together to create custom lengths. Maximum length between luminaire and driver is 40'. For longer remote driver remote run length, consult factory.



New Construction Frame-In with Collar

**NFC-R430**

New construction frame-in can be used to assist installing can-less recessed downlighting.

# PHOTOMETRICS

## 4" Iolite Can-less Sloped Downlight

Type

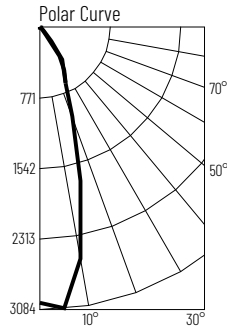
Project

Catalog No.

Notes

### Test Information

Test Number: NTR2613R1  
 Part Number: NIOC-4RSP40XMPW  
 Beam Spread: 25° Spot  
 Lumens: 1135lm  
 Wattage: 11.56W  
 Efficacy: 98lpw  
 CCT / CRI: 4000K / 90 CRI  
 Spacing Criteria (0°-180°): 0.5  
 Spacing Criteria (90°-270°): 0.56



### Illuminance at a Distance

Distance from Luminaire	FC at Nadir	Beam Diameter
4'	188fc	1'-10"
6'	83.6fc	2'-8"
8'	47fc	3'-7"
10'	30.1fc	4'-6"
12'	20.9fc	5'-5"

### Zonal Lumen Summary

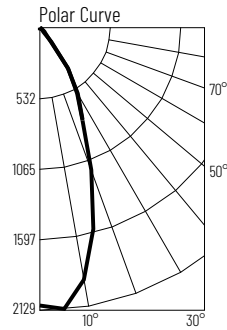
Zone	Lumens	% Luminaire
0-30	860	75.7
0-40	1041	91.7
0-60	1110	97.8
0-90	1134	99.9
90-180	1	0.1
0-180	1135	100

### Candela Table

Vertical Angles	Candela
0	3009
5	2882
15	1429
25	592
35	115
45	17

### Test Information

Test Number: NTR2614R1  
 Part Number: NIOC-4RSP40XMPW  
 Beam Spread: 37° Narrow Flood  
 Lumens: 1139lm  
 Wattage: 11.56W  
 Efficacy: 99lpw  
 CCT / CRI: 4000K / 90 CRI  
 Spacing Criteria (0°-180°): 0.66  
 Spacing Criteria (90°-270°): 0.6



### Illuminance at a Distance

Distance from Luminaire	FC at Nadir	Beam Diameter
4'	131fc	2'-8"
6'	58.2fc	4'
8'	32.7fc	5'-4"
10'	21fc	6'-8"
12'	14.6fc	8'

### Zonal Lumen Summary

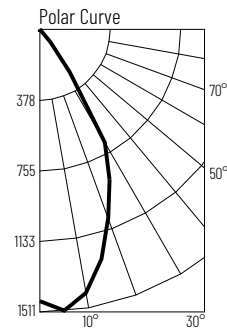
Zone	Lumens	% Luminaire
0-30	854	75
0-40	1035	90.9
0-60	1109	97.4
0-90	1137	99.9
90-180	2	0.1
0-180	1139	100

### Candela Table

Vertical Angles	Candela
0	2095
5	2068
15	1451
25	684
35	77
45	13

### Test Information

Test Number: NTR2615R1  
 Part Number: NIOC-4RSP40XMPW  
 Beam Spread: 51° Flood  
 Lumens: 1114lm  
 Wattage: 11.57W  
 Efficacy: 96lpw  
 CCT / CRI: 4000K / 90 CRI  
 Spacing Criteria (0°-180°): 0.88  
 Spacing Criteria (90°-270°): 0.82



### Illuminance at a Distance

Distance from Luminaire	FC at Nadir	Beam Diameter
4'	90.9fc	3'-5"
6'	40.4fc	5'-3"
8'	22.7fc	7'-1"
10'	14.5fc	8'-8"
12'	10.1fc	10'-7"

### Zonal Lumen Summary

Zone	Lumens	% Luminaire
0-30	780	70
0-40	1007	90.4
0-60	1082	97.1
0-90	1113	99.9
90-180	1.5	0.1
0-180	1114	100

### Candela Table

Vertical Angles	Candela
0	1454
5	1503
15	1273
25	892
35	274
45	25

### Lumen Output Multipliers

Color Temperature: 2700K (0.86), 3000K (0.92), 3500K (1.00), 4000K (1.00)