

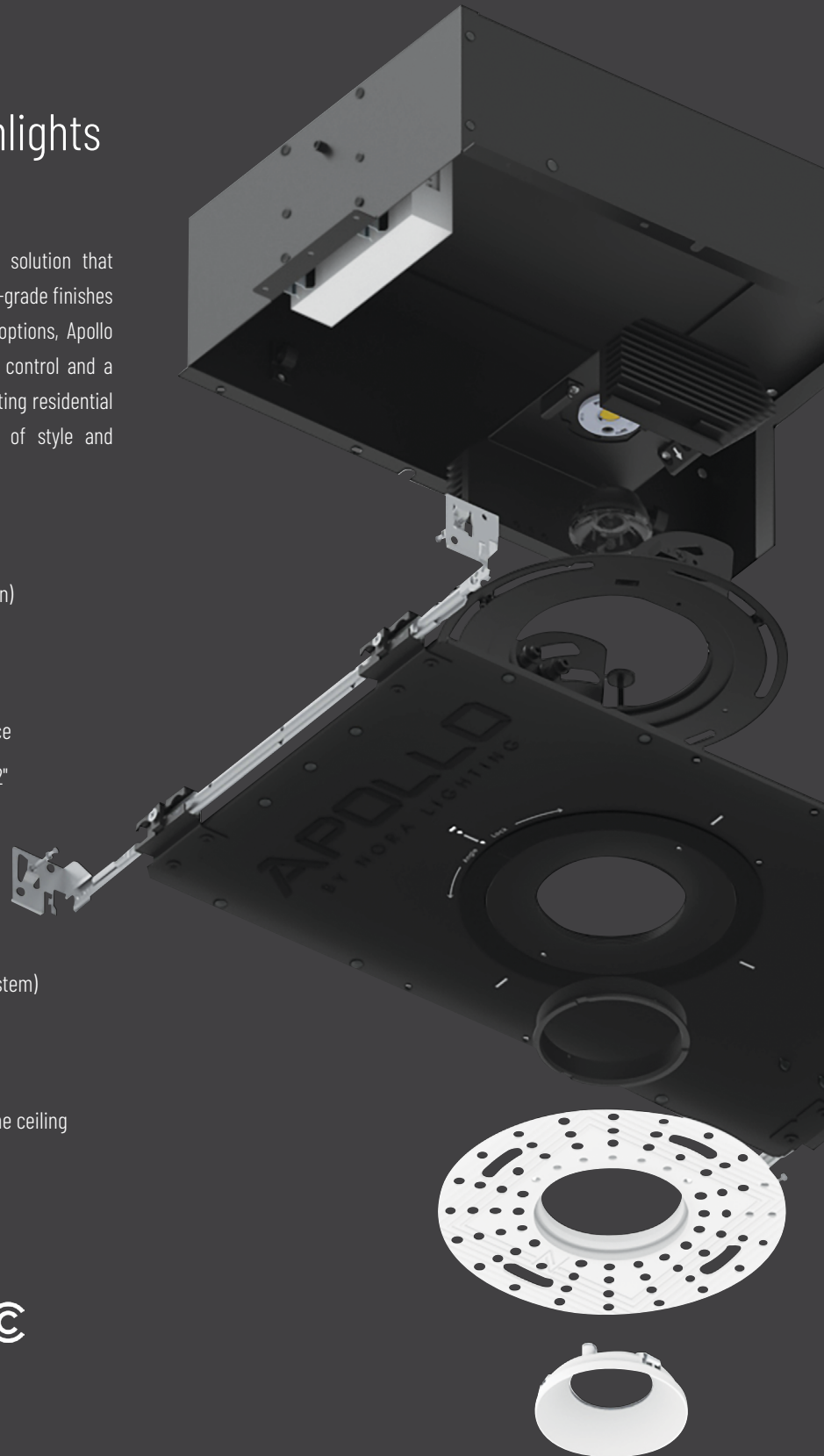
APOLLO

3" Specification Grade Downlights Delivering up to 2000lm

Introducing Apollo - a sleek, three-inch recessed lighting solution that combines cutting-edge COB LED technology with architectural-grade finishes and advanced TIR optics. Available in flanged and trimless options, Apollo is ideal for millwork applications, offering exceptional glare control and a range of versatile dimming protocols. Whether you're illuminating residential or commercial spaces, Apollo ensures a seamless blend of style and performance, with a focus on precision and efficiency.

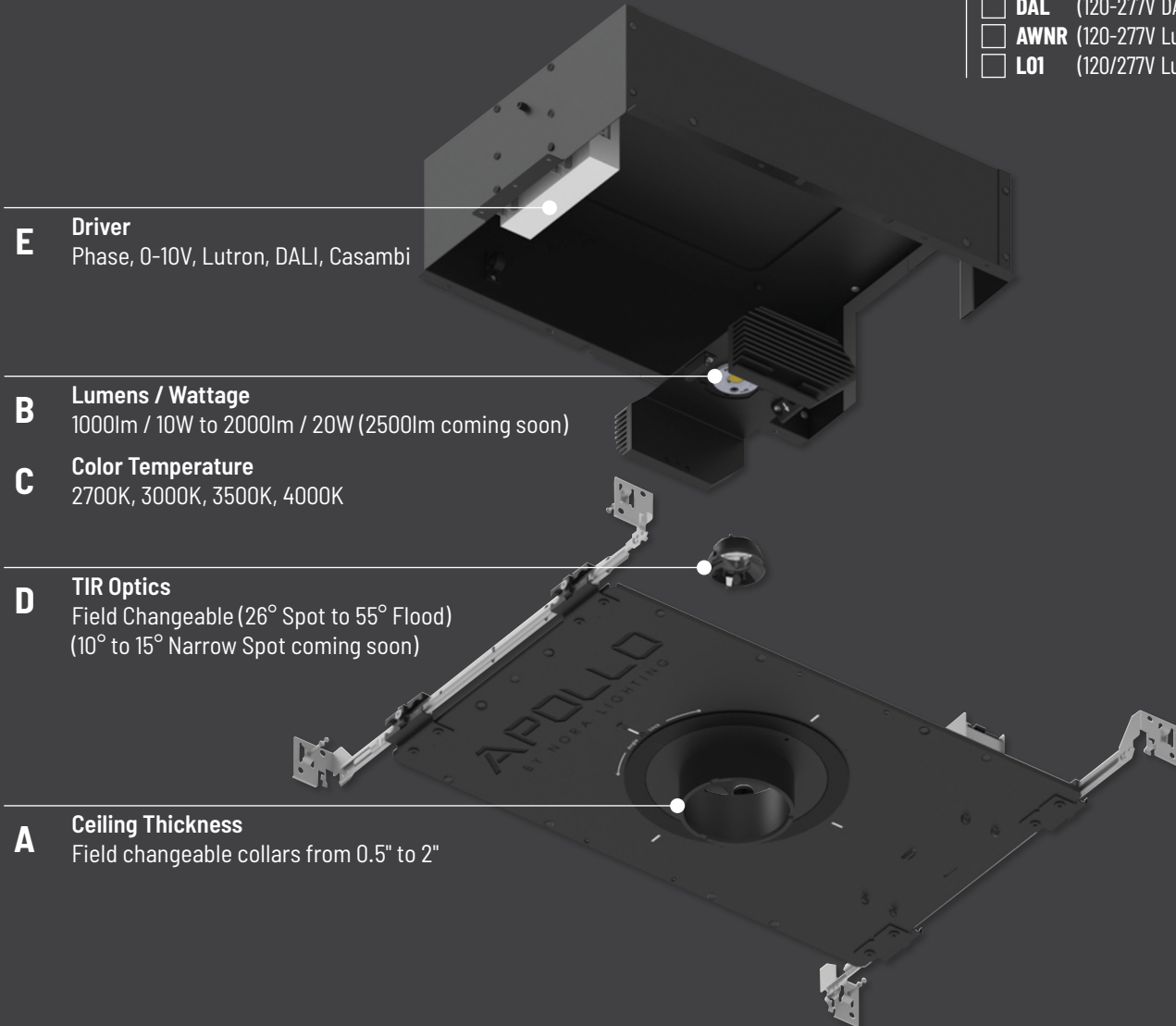
FEATURES

- 1000lm to 2000lm COB LED technology (2500lm coming soon)
- Flanged and Flangeless Trims (Wood/Stone/Tile)
- Three Trim Types (Downlight, Pinhole, Wall Wash)
- Shallow 4-1/8" housing for ceiling plenums with limited space
- Housing collar can be changed for ceiling thickness up to 2"
- 2700K, 3000K, 3500K or 4000K @ 90+ CRI
- Specified Beam Spreads (26° Spot to 55° Flood)
(10° to 15° Narrow Spot coming soon)
- Variety of Dimming Protocols
(Phase, 0-10V, Casmabi, DALI, Lutron Athena, Lutron EcoSystem)
- Housing includes COB LED and adjustable mechanism
- 361° Horizontal Rotation / 45° Vertical Aiming
- Driver and COB LED are serviceable from below or above the ceiling
- Five Year Limited Warranty
- ENERGY STAR[®] certified
- cULus Listed for Wet Locations (when used with lens)



APOLLO ORDERING MATRIX

- | | | | | |
|---|---|---|--|---|
| <p>(A)
Ceiling Thickness</p> <ul style="list-style-type: none"> <input type="checkbox"/> NHAPIC-3R05 (0.5" to 0.875") <input type="checkbox"/> NHAPIC-3R10 (0.875" to 1.25") <input type="checkbox"/> NHAPIC-3R15 (1.25" to 1.625") <input type="checkbox"/> NHAPIC-3R20 (1.625" to 2") | <p>(B)
Lumens / Wattage</p> <ul style="list-style-type: none"> <input type="checkbox"/> L1 (1000lm / 10W) <input type="checkbox"/> L2 (1500lm / 15W) <input type="checkbox"/> L3 (2000lm / 20W) | <p>(C)
CCT</p> <ul style="list-style-type: none"> <input type="checkbox"/> 27 (27K) <input type="checkbox"/> 30 (30K) <input type="checkbox"/> 35 (35K) <input type="checkbox"/> 40 (40K) | <p>(D)
Beam Spread</p> <ul style="list-style-type: none"> <input type="checkbox"/> 25D (26° Spot) <input type="checkbox"/> 40D (38° Narrow Flood) <input type="checkbox"/> 55D (55° Flood) | <p>(E)
Driver</p> <ul style="list-style-type: none"> <input type="checkbox"/> P (120V Phase; 3%) <input type="checkbox"/> C (120-277V 0-10V; 1%) <input type="checkbox"/> CO1 (120-277V 0-10V; 0.1%) <input type="checkbox"/> CAS (120/277V Casambi; 1%) <input type="checkbox"/> DAL (120-277V DALI-2; 1%) <input type="checkbox"/> AWNR (120-277V Lutron Athena; 1%) <input type="checkbox"/> LO1 (120/277V Lutron EcoSystem; 0.1%) |
|---|---|---|--|---|



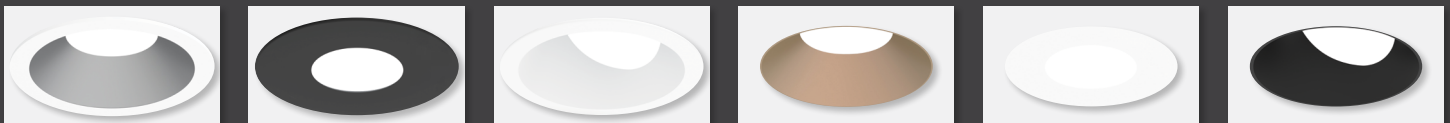
E **Driver**
Phase, 0-10V, Lutron, DALI, Casambi

B **Lumens / Wattage**
1000lm / 10W to 2000lm / 20W (2500lm coming soon)

C **Color Temperature**
2700K, 3000K, 3500K, 4000K

D **TIR Optics**
Field Changeable (26° Spot to 55° Flood)
(10° to 15° Narrow Spot coming soon)

A **Ceiling Thickness**
Field changeable collars from 0.5" to 2"



Flange Type

- NAPF** (Flanged)
- NAPT** (Flangless)

Trim Type

- 3RDN** (Downlight)
- 3RPH** (Pinhole)
- 3RWW** (Wall Wash)

Finish

- B** (Black)
- BZ** (Bronze)
- HZ** (Haze) * downlight only*
- MPW** (Matte Powder White)
- WD** (Wheat Diffused)