

Installation Instructions

NAP-3RDSLEEVE

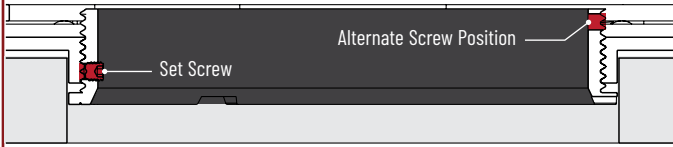
Round Sleeve Shade for Housing Components

READ PRIOR TO ATTEMPTING INSTALLATION
ALWAYS TURN OFF MAIN POWER BEFORE INSTALLATION
INSTALLATION SHOULD BE CARRIED OUT BY YOUR LOCAL ELECTRICIAN

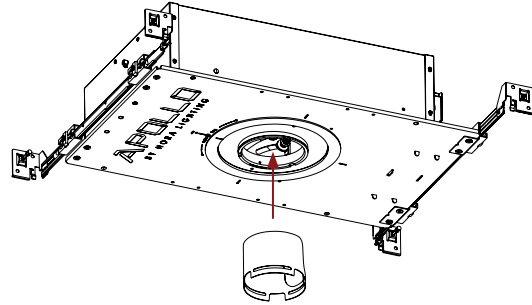
INSTALLATION INSTRUCTION

⚠️ TURN OFF MAIN POWER BEFORE INSTALLATION

1 Remove set screw in the housing collar prior to installation.



2 Insert round sleeve into the housing collar.



3 Align the slot of sleeve accessory with housing collar screw hole and replace the set screw to secure.

