

Installation Instructions

NAPC-3R

Round Extension Collar for 3" Apollo Housing

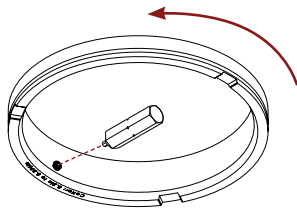
READ PRIOR TO ATTEMPTING INSTALLATION
ALWAYS TURN OFF MAIN POWER BEFORE INSTALLATION
INSTALLATION SHOULD BE CARRIED OUT BY YOUR LOCAL ELECTRICIAN

ITEM NUMBER	CEILING THICKNESS RANGE	COMPATIBLE HOUSINGS
NAPC-3R05	0.5" to 0.875"	NHAPIC-3R, NHAPNIC-3R
NAPC-3R10	0.875" to 1.25"	NHAPIC-3R, NHAPNIC-3R
NAPC-3R15	1.25" to 1.625"	NHAPIC-3R, NHAPNIC-3R
NAPC-3R20	1.625" to 2"	NHAPIC-3R, NHAPNIC-3R

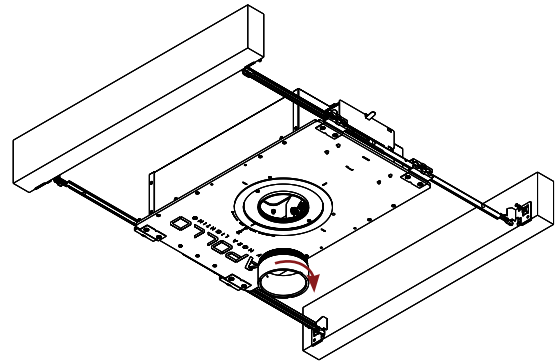
INSTALLATION INSTRUCTION

⚠️ TURN OFF MAIN POWER BEFORE INSTALLATION

- 1** To replace existing housing collar; loosen set screw with hex bit (included) and remove collar by turning counter clockwise.



- 2** Attach new extension collar to housing by threading clockwise.



- 3** Adjust collar height, leave 6mm (1/4") gap from the bottom of the ceiling to bottom of the collar. Tighten set screws to fix collar height in place.
(NOTE: Collars have two set screw positions, depending on ceiling thickness)

