

NHAPIC-3R

3" Apollo Round IC Air-Tight New Construction Housing

Source: 10W to 20W LED
1000lm to 2000lm

Type

Project

Catalog No.

Notes

SPECIFICATION

Precise Aiming: Hot-aiming adjustment allows for 361° horizontal rotation and 45° vertical aiming. Optimized TIR optics directs the light through the center of the aperture for maximum efficiency and low aperture brightness.

Housing: Aluminum housing can be installed in ceiling thicknesses up to 2". Housing collar accessories are also available. Driver and LED are serviceable from below the ceiling.

Air Flow Restriction: Meets requirements of Air-Tight (AT) <2CFM (cubic feet per minute) in accordance with ASTM-283 Air-Tight requirements.

Clearance: "IC" Insulated ceiling housings are direct contact rated. Not to be used in direct contact with spray foam insulation.

Bar Hangers: Two 13-3/4" to 24-1/2" adjustable bar hangers with captive nails are included on housing. "L"-shaped bar hanger foot to align to bottom of construction joist. A T-bar notch allows for easy installation in a suspended ceiling.

Junction Box: Pre-wired 25 cubic inch 0.064" thick galvanized steel, with seven 1/2" knockouts and snap on covers. All leads are #18AWG wire, the ground wire is connected to the bottom, and quick connectors are supplied on all leads. Maximum of 8 no. 12 AWG through branch circuit conductors suitable for at least 90°C permitted in junction box. Junction box is accessible from the room side through housing opening.

Romex Strain Relief: Junction box includes two Romex tabs with two slots at each tab for NM-cables of 12/2 to 14/2. The strain relief allows for easy installation and less materials.

ELECTRICAL

Input Voltage: 120V, 120-277V or 120/277V

Lumens / Wattage:

1000lm / 10W (L1), 1500lm / 15W (L2), or 2000lm / 20W (L3)

Color Temperature: 2700K, 3000K, 3500K, 4000K

Color Rendering Index: 90+ CRI (>90 R9)

Dimming: Phase, 0-10V, Casambi, DALI or Lutron

[Click Here](#) or check complete dimmer list at

www.NoraLighting.com in the "Compatibility" page under "Resources" tab

COMPATIBLE TRIMS

CATALOG NO. DESCRIPTION

[NAPF-3RDN](#) 3" Flanged Round Downlight

[NAPF-3RPH](#) 3" Flanged Round Pinhole

[NAPF-3RWW](#) 3" Flanged Round Wall Wash

[NAPT-3RDN](#) 3" Trimless / Wood Ceiling Round Downlight

[NAPT-3RPH](#) 3" Trimless / Wood Ceiling Round Pinhole

[NAPT-3RWW](#) 3" Trimless / Wood Ceiling Round Wall Wash

OPTIONAL ACCESSORIES

[NAPC-3R:](#) Extension Collar for Housings

[NAPC-3RDSLEEVE:](#) Sleeve Shade for Housings

[NAPO-3D:](#) Field Changeable TIR Optics

[NAP-TLMR-3R:](#) Trimless Mud Plate

LABELS AND LISTINGS

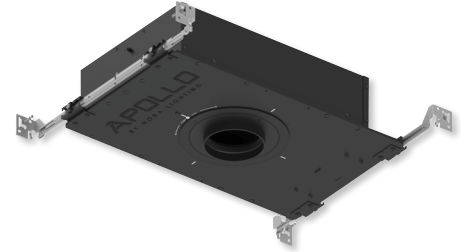
- cULus Listed for Damp Locations (Wet Locations when used with Clear Lens)
- [5-Year Limited Warranty](#)
- RoHS compliant
- FCC compliant
- Meets or exceeds ASTM-283 Air-Tight requirements



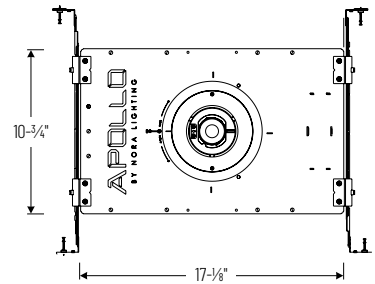
ELECTRICAL	P	C	CO1	CAS	DAL	AWNR	L01
Input Voltage	120V	120-277V	120-277V	120/277V	120-277V	120-277V	120/277V
Compatible Wattages	10W to 20W	10W to 20W	10W to 20W	15W to 20W	15W to 20W	10W to 20W	10W to 20W
Dimming	Triac / ELV	0-10V	0-10V	Casambi	DALI 2	Athena	EcoSystem
Operating Temp.	0°-35°C	0°-30°C	0°-25°C	0°-35°C		0°-30°C	0°-25°C
Power Factor	≥0.90						

APOLLO

PRODUCT IMAGES AND DIMENSIONS



Ceiling Cut-Out:
3-3/8"



3" Apollo Round IC Air-Tight New Construction Housing

Ceiling Thickness	Lumens / Wattage	CCT	Beam Spread	Input Voltage / Dimming
NHAPIC-3R05 = 0.5" to 0.875"	L1 = 1000lm / 10W	27 = 2700K	250 = 26° Spot	P = 120V; Phase (3%)
NHAPIC-3R10 = 0.875" to 1.25"	L2 = 1500lm / 15W	30 = 3000K	400 = 38° Narrow Flood	C = 120-277V; 0-10V (1%)
NHAPIC-3R15 = 1.25" to 1.625"	L3 = 2000lm / 20W	35 = 3500K	550 = 55° Flood	CO1 = 120-277V; 0-10V (0.1%)
NHAPIC-3R20 = 1.625" to 2"		40 = 4000K		CAS = 120/277V; Casambi (1%) ¹
				DAL = 120-277V; DALI-2 (1%) ¹
				AWNR = 120-277V; Lutron Athena (1%)
				L01 = Lutron EcoSystem 120/277V (0.1%)

Notes:

¹ CAS & DAL not available with 1000lm (L1)

3" Apollo Round Trims

Ceiling Type	Trim Type	Finish	Optional Lens
NAPF-3R = Flanged	DN = Downlight	B = Black	(blank) = No Lens
NAPT-3R = Trimless & Wood Ceiling	PH = Pinhole	BZ = Bronze	/CL = Clear Lens (Wet Location)
	WW = Wall Wash	HZ = Haze ²	
		HZMPW = Haze / Matte Powder White ²	
		MPW = Matte Powder White	
		WD = Wheat Diffused	

Notes:

² HZ & HZMPW available with downlight (DN) only

Accessories

Description
NAPC-3R05 = Ceiling Extension Collar (0.5" to 0.875")
NAPC-3R10 = Ceiling Extension Collar (0.875" to 1.25")
NAPC-3R15 = Ceiling Extension Collar (1.25" to 1.625")
NAPC-3R20 = Ceiling Extension Collar (1.625" to 2")
NAPO-3D25 = Replacement 26° TIR Optic
NAPO-3D40 = Replacement 38° TIR Optic
NAPO-3D55 = Replacement 55° TIR Optic
NAP-TLMR-3R = Round Trimless Mud Plate
NAP-3RDSLEEVE = Round Sleeve Shade for Housing Components

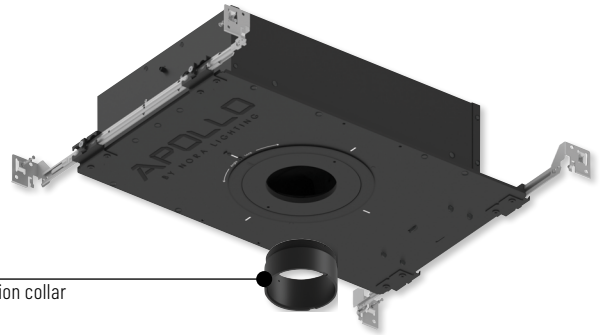
Example: **NHAPIC-3R05L33025DP / NAPF-3RDNMPW** = 3" Apollo Round IC Air-Tight New Construction Housing, 2000lm / 20W, 3000K, Spot Optic, 120V input; Phase dimming / 3" Flanged Downlight, Matte Powder White Finish

NHAPIC-3R Accessories

3" Apollo Round IC Air-Tight New Construction Housing

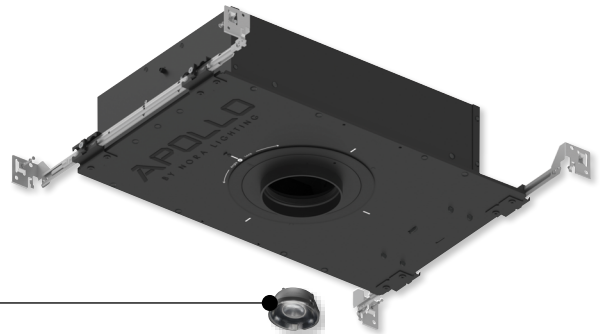
Type	_____
Project	_____
Catalog No.	_____
Notes	_____

- NAPC-3R05** 0.5" to 0.875" Ceiling Extension Collar
- NAPC-3R10** 0.875" to 1.25" Ceiling Extension Collar
- NAPC-3R15** 1.25" to 1.625" Ceiling Extension Collar
- NAPC-3R20** 1.625" to 2" Ceiling Extension Collar



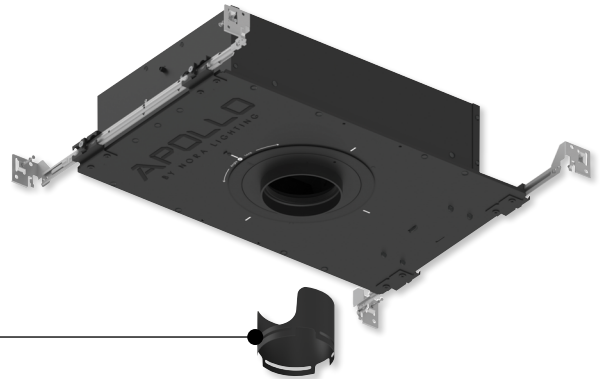
Field changeable extension collar

- NAPO-3D25** Replacement 26° TIR Optic
- NAPO-3D40** Replacement 38° TIR Optic
- NAPO-3D55** Replacement 55° TIR Optic



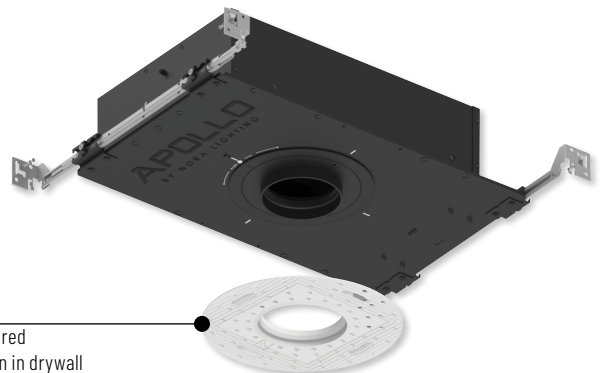
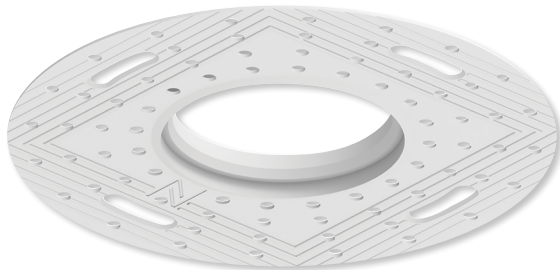
Field changeable optics

NAP-3RDSLEEVE Round sleeve shade to shield housing components



Sleeve shade covers housing components

NAP-TLMR-3R Round trimless mud plate for installation in gypsum with plaster.



Trimless mud plate required for flangeless installation in drywall